

MFSQ

1000/2000W

QCW Fiber Laser



Product Feature



All-fiber Structure

Compact and rugged design for long time operation



Adjustable Pulse Width Waveform

The output waveform can be customized according to different welding or cutting applications



Compact Design, Maintenance Free

Plug and play, higher flexibility when integrated into system



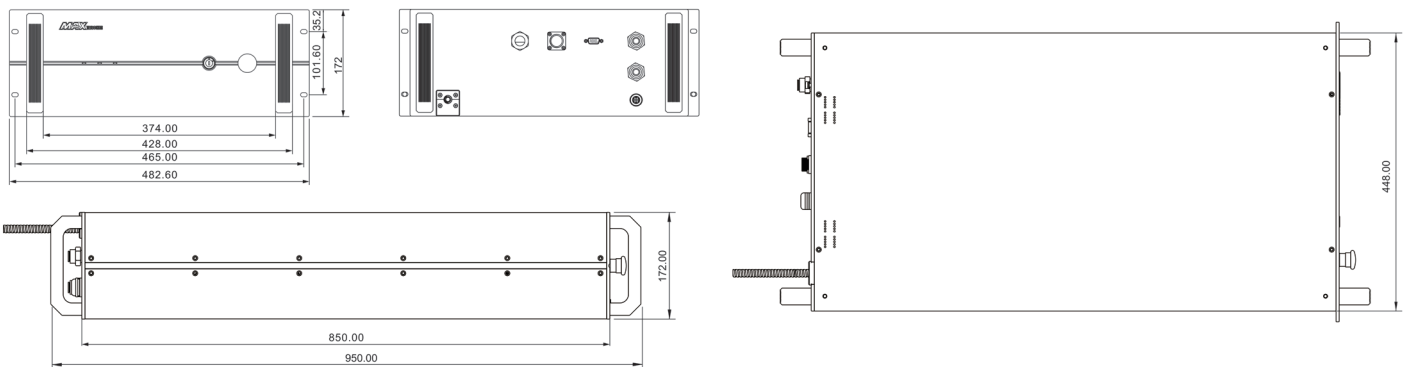
High Level Vertical Integration

All key components are designed and produced in house
Strict quality control, high consistency and reliability

Characteristic Parameters

Model	MFSQ-1000/2000W
OPTICAL SPECIFICATIONS	
CW Mode Max Power	1000W
Pulsed Mode Max Power	2000W
Mode of Operation	CW/Modulated
Polarization	Random
Power Tunability	10 to 100%
Wavelength	1080 ± 10 nm
Power Stability	3%
Laser Beam Quality M ²	2.5(50um)
Pulse Energy	60 J
Pulse Duration	0.1~50 ms
Repetition Rate	1~5000 Hz
Preview Red Light Power	100 μW
FIBER DELIVERY SYSTEM	
Interface	QBH (LOC)
Length	15 m standard, other lengths optional
Diameter	30/50 μm
Bending Radius	200 mm
ELECTRICAL RATINGS	
Supply Voltage	220VAC
Rated Power	7 KW
OTHER SPECIFICATIONS	
Operating Temperature	+10 to +40°C
Storage Temperature	-10 to +60°C
Humidity	10 to 85%
Cooling Method	Water Cooling
Dimension	950×482.6×193.2 mm
Weight	68 kg

Mechanical Specifications (mm)



Maxphotonics Co.,Ltd.

Address: Maxphotonics Industrial Park, 3rd Furong Road,
Furong Industrial Area, Shajing, Bao'an, Shenzhen, China.518125
E-Mail: sales@maxphotonics.com <http://en.maxphotonics.com>

MAX PHOTONICS