

MD

1000W~3000W

Single Wavelength Direct Diode Laser Series



Product Feature



High Utilization

Short wavelength, high laser absorption rate of metal



Excellent Electro-optical Conversion Efficiency

Energy saving and environmental protection, the EOCE of the whole machine reaches more than **45%**



High Power Density with Flat-top Distribution

Laser spot energy evenly distributed, improve processing effect



High Level Vertical Integration

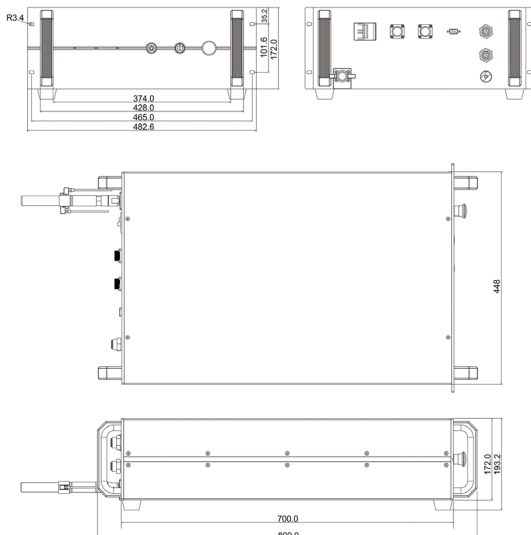
All key components are designed and produced in house
Strict quality control, high consistency and reliability

Characteristic Parameters

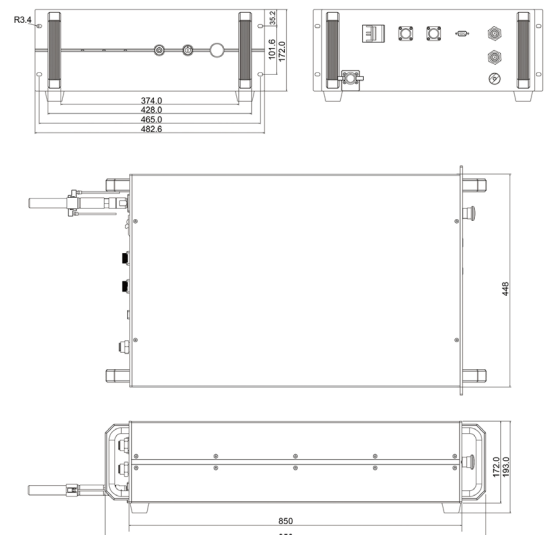
Models	MD-1000W	MD-1500W	MD-2000W	MD-3000W
OPTICAL SPECIFICATIONS				
Nominal Power	1000W	1500W	2000W	3000W
Mode of Operation	CW/Modulated			
Polarization	Random			
Power Tunability	10 to 100%			
Wavelength	920 ± 10 nm			
Power Stability	± 1 %			
Laser Beam Quality, BPP	25~28 mm*mrad(300µm) 30~33 mm*mrad(400µm)		40~45 mm*mrad	
Modulation Frequency	≤ 20 KHz			
Preview Red Light Power	150 µW			
FIBER DELIVERY SYSTEM				
Interface	QBH (LOC)			
Length	15m standard, other lengths optional			
Diameter	300 µm	400 µm	600 µm	
Bending Radius	200 mm			
ELECTRICAL RATINGS				
Supply Voltage	220 VAC			
OTHER SPECIFICATIONS				
Operating Temperature	+10 to +40°C			
Storage Temperature	-10 to +60°C			
Humidity	10 to 80%			
Cooling Method	Water Cooling			
Cooling Medium	Distilled water/ Glycol Antifreeze			
Dimension	800×482.6×192 mm		950×482.6×193.2 mm	
Weight	50(±3) kg		68(±3) kg	

Mechanical Specifications (mm)

MD-1000W/1500W



MD-2000W/3000W



Maxphotonics Co., Ltd.

Address: Maxphotonics Industrial Park, 3rd Furong Road,
Furong Industrial Area, Shajing, Bao'an, Shenzhen, China.518125
E-Mail: sales@maxphotonics.com <http://en.maxphotonics.com>

MAX PHOTONICS